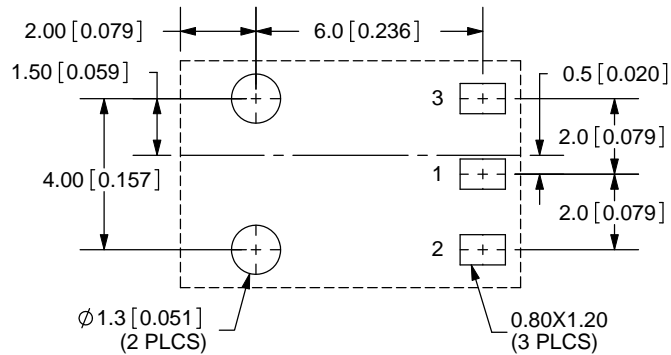
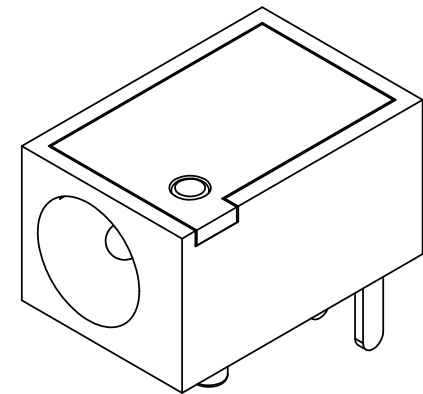
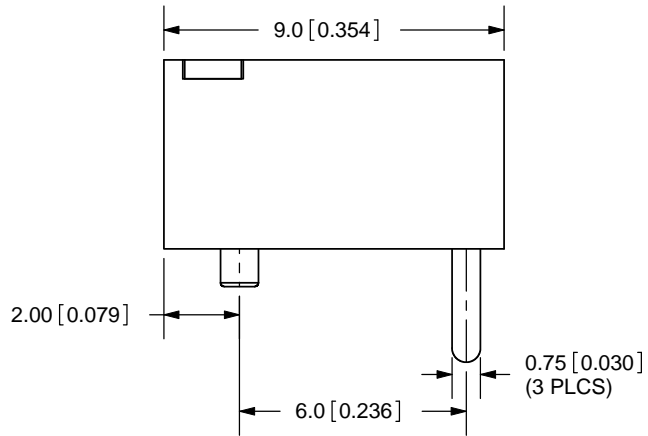
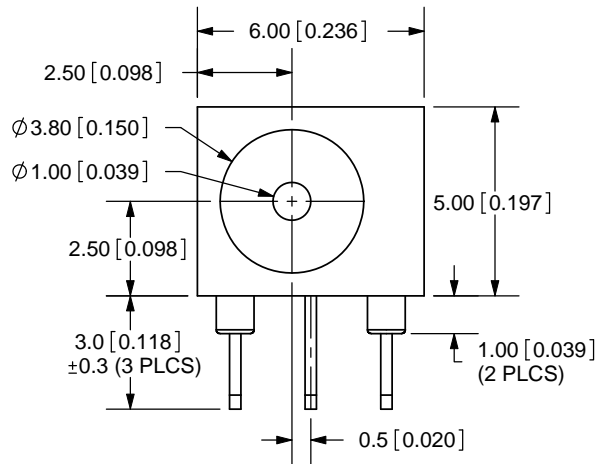
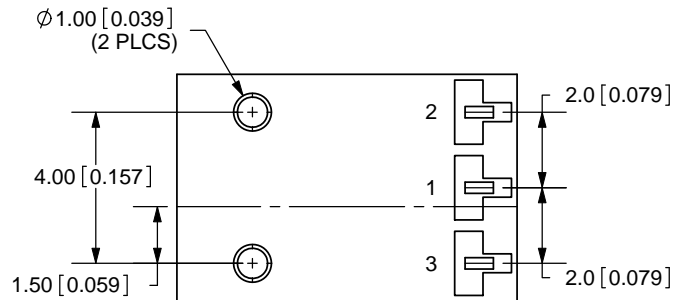


REV.	DESCRIPTION	DATE
A	NEW DRAWING	7/30/2007



PCB LAYOUT
TOP VIEW



TOLERANCE:
X.X±0.2mm
X.XX±0.1mm
X.XXX±0.05mm



MODEL NO.	PJ-036C
SCHEMATIC	

CENTER PIN DIAMETER 1.0mm Dia.

SPECIFICATIONS:
RATING: 16V DC @ 2A
CONTACT RESISTANCE: 50m OHMS MAX
INSULATION RESISTANCE: 100M OHMS MIN: 500V DC
VOLTAGE WITHSTAND: 500V AC R.M.S. FOR 1 MINUTE
LIFE: 5,000 CYCLES

	MATERIAL	PLATING
CENTER PIN	Brass	Tin
TERMINAL 1	Brass	Tin
TERMINAL 2	Copper Alloy	Tin
TERMINAL 3	Brass	Tin
BODY	PA66	



20050 SW 112th Ave.
Tualatin, OR 97062
Phone: 503-612-2300
800-275-4899
Fax: 503-612-2383
Website: www.cui.com

TITLE:	DC POWER JACK	REV:	A
PART NO.	PJ-036C	UNITS:	MM [INCHES]
DRAWN BY:	ZRJ	APPROVED BY:	
		SCALE:	5:1

PC FILE NAME:
PJ-036C

COPYRIGHT 2007 BY CUI INC.